



2" BORE ACCESSORIES



MOUNTING NUTS

Stud Nut

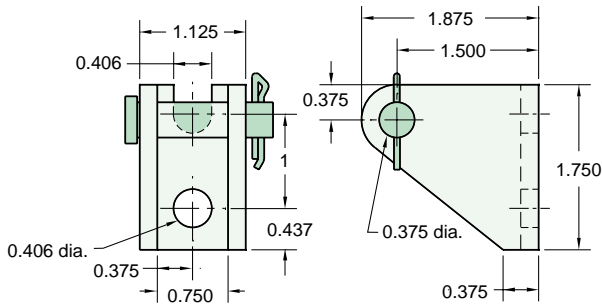
Part Number	Across Flats	Nut Thickness	Nut (Thread)
N20-12	1 3/4"	7/16"	1 1/4-12

Rod Nut

Part Number	Across Flats	Nut Thickness	Nut (Thread)
N08-20	3/4"	5/16"	1/2-20

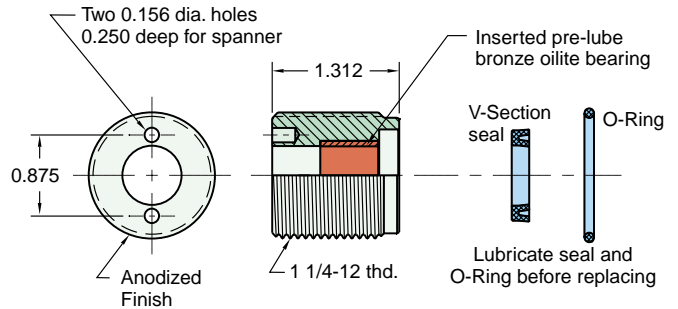
CB-3295

Clevis Bracket
Material: steel, bright zinc plated



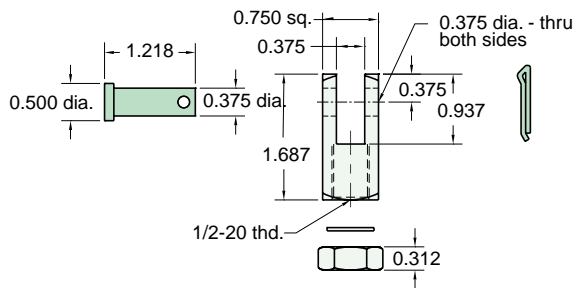
RK-3299

Replaceable Rod Seal
Material: aluminum body



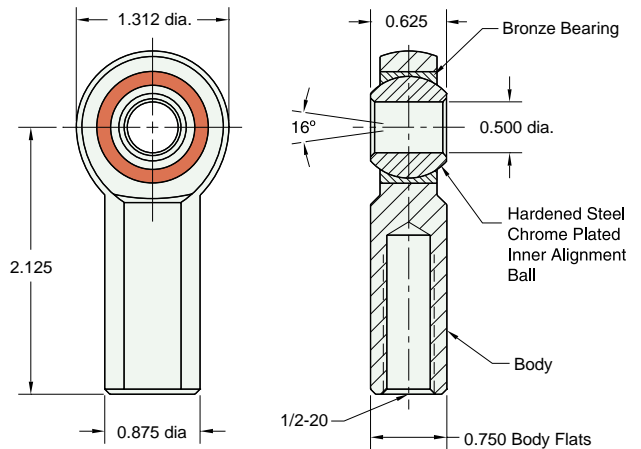
RC-3281

Rod Clevis
Material: steel, bright zinc plated



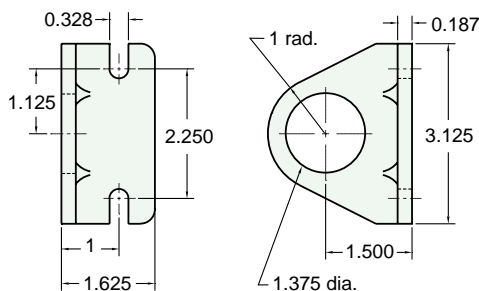
RE-3285

Rod End
Material: steel, bright zinc plated body



FB-3291

Foot Bracket
Material: steel, bright zinc plated



Lockwasher

Locknut

Max. Static Radial Load: 6700 lbs.
Fits Rod Thread Size: 1/2-20